

LANA GATTO



SILKY

BEACH CLOTHING COORDINATED **LANA GATTO**

BEACH-ROBE

Size: 12 (16)

NOTE: figures in brackets () refer to larger size. Where only one figure is given this refers to both sizes.

Skill Level: intermediate

How much yarn:

g 250 (350) g of Silky yarn, in teal shade no. 8185

Needles: Pair of 4.00 mm (no. 8) knitting needles

Crochet hook: A 3.75mm (no. 9) hook

Sewing needle: Yarn needle with rounded point

STITCHES

USING NEEDLES:

MESH PATT: (work on even number of sts)

Row 1: (WS) 1 selvedge st, * yfd (yarn forward) , SK1P (= slip 1 st, knit 1 st, pass slipped st over K1); rep from * ending with 1 selvedge st.

Row 2: 1 selvedge st, purl to last st, 1 selvedge st. Rep these 2 rows throughout.

USING CROCHET HOOK: double crochet (dc).

TENSION

20.5 sts and 27 rows measure 10 cm square over mesh patt with 4.00 mm (no. 8) needles.

INSTRUCTIONS

Back: using 4mm (no. 8) needles cast on 82 (90) sts and work in mesh patt. When piece measures 19 (20) cm from beg, cast on 2 new sts at end of next 2 rows. There are 86 (94) sts. When piece measures 48 (51)cm from beg, shape armholes. Cast off 2 sts at beg of next 4 rows, then dec 1 st at each end of next and every following alternate row 6 times. When armhole measures 20 (21) cm, cast off rem 66 (74) sts.

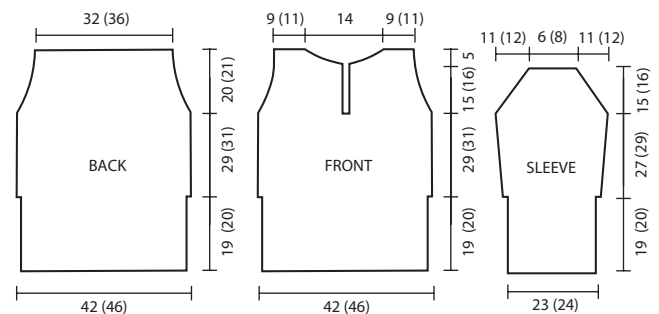
Front: work as Back until piece measures 48 (51)cm from beg. Shape armholes as Back and, at the same time, shape neck: cast off centre 4 sts and cont separately on each side, dec 1 st at neck edge on alternate row. When Front measures 15(16) cm from neck shaping, cast off 3 sts on neck edge of either side and dec on foll alternate row: 2 sts twice and 1 st 5 times. When armhole measures 20 (21)cm cast off rem 18 (22) sts on each shoulder.

Sleeves: using 4mm (no. 8) needles cast on 44 (46) sts and work in mesh patt. When sleeve measures 19 (20) cm from beg, cast on 2 new sts at end of next 2 rows. There are 48 (50) sts. Cont to work in mesh patt, inc 1 st at each end on next and every foll 14th (10th) row 5 (8) times. There are 58 (66) sts. When sleeve measures 46 (49) cm from beg, shape top. Cast off 2 sts at beg of next 4 rows, then dec 1 st at each end of next and every

following alternate row 19 (21) times. When top shaping measures 15 (16) cm, cast off rem 12 (16) sts.

FINISHING

Using yarn needle, sew shoulder seams, then sew also side seams, leaving first 19 (20) cm open for slits at bottom. Sew sleeve seams, leaving first 19 (20) cm open for slit at cuff, then set in sleeves. Using crochet hook, work a row of dc on either side of all slits, then work a round of dc all round front opening and neck-edge.



BIKINI

Size: 12

Level: Intermediate

How much yarn:

• g 100 g of Silky yarn, in teal shade no. 8185

Needles: Pair of 2.00 mm (no. 14) knitting needles

Crochet hook: A 2.00mm (no. 14) hook

Sewing needle: Yarn needle with rounded point

Other items: A spool of white elastic thread

STITCHES

Using needles: tubular stitch - stocking stitch (st st).

SHELL PATT (work over a multiple of 10 sts plus 1)

Row 1: * K3, K2tog, yfd (yarn forward), K1, yfd, SK1P (= slip 1 st, knit 1 st, pass slipped st over K1), K2; rep from * to last st, K1. **Rows 2, 4, 6 and 8:** Purl. **Row 3:** * K2, K2tog, yfd, K3, yfd, SK1P, K1; rep from * to last st, K1. **Row 5:** * K1, K2tog, yfd, K5, yfd, SK1P; rep from * to last st, K1. **Rows 7 and 11:** Knit. **Row 9:** * K6, then work 6 elongated sts (for 1st elongated-st insert RH needle into first eyelet on Row 5, yarn on needle and draw a long loop, keep loop on needle loosely, work other 5 elongated sts in the same manner into each of next 5 eyelets on Row 5), K4; rep from * to last st, K1. **Row 10:** P1,* P4, purl together 6 elongated-sts with next st (7 sts become 1 st), P5; rep from * to end. **Row 12:** Purl. Rep Rows 1-12 throughout.

Using crochet hook: chain (ch); slip stitch (ss); double crochet (dc); treble (tr).

BEACH CLOTHING COORDINATED **LANA GATTO**

TENSION

37 sts and 41 rows measure 10 cm square over stocking st with 2.00 mm (no. 14) needles.

INSTRUCTIONS PANTS

Back: with 2.00 mm (no. 14) needles cast on 19 sts. Work in stocking st, inc 1 st at each end on 7th and every following alternate row 32 times, then every row 12 times. There are 107 sts. When work measures 20 cm from beg, work 12 rows in shell patt, but work first and last 3 sts in st st. For upper edge, work 8 rows in tubular st. With yarn needle, cast off grafting sts in kitchener st.

Front: With 2.00mm (no. 14) needles pick up and K19 across opposite side of Back cast-on sts. Work in st st. When work measures 5 cm from beg, inc 1 st at each end every 4th row 4 times, then every alternate row 18 times and every row 20 times. There are 103 sts. When work measures 28 cm from beg, work 12 rows in shell patt, but work first and last st in st st. For upper edge, work 8 rows in tubular st. With yarn needle, cast off grafting sts in kitchener st.

INSTRUCTIONS BRA

With 2.00 mm (no. 14) needles cast on 107 sts and, for lower border, work 8 rows in tubular st. Cont in st st, casting on 9 new sts at end of next 10 rows and 13 new sts at end of next 2 rows. There are 223 sts. When work measures 7,5 cm from lower border, shape upper part as follows: cast off 8 sts at beg of next 2 rows. Work 2 rows straight. Rep these 4 rows 5 more times, then cast off 10 sts at beg of following 2 rows: 107 sts remain. When work measures 14,5 cm from lower border, work

12 rows in shell patt, but work first and last 3 sts in stocking st. The, for upper border, work 8 rows in tubular st. With yarn needle, cast off grafting sts in kitchener st.

FINISHING

Pants: sew 4 cm side seams. With 2.00 mm (no. 14) hook, work a round of dc all around leg-holes. Insert elastic thread through tubular edge, lap ends and stitch securely.

Bra: using 2.00 mm (no. 14) hook, join yarn with a ss to RH (right hand) upper side and work 1 row dc along side with decs, until to 30th row from lower border. Then on straight side work as follows: **1st row:** 3 ch (to count as first tr), work other 12 tr across side until reaching lower edge, turn. **2nd row:** 3 ch (to count as first tr), (into each of next 6 tr work 1 tr but wait with last pull through, pull thread through all loops on the hook = 6 tr tog) twice, then work a chain 25cm long, turn. **3rd row:** starting from 2nd ch from hook, work 1 dc into each ch; cont to work 1 dc into each of next tr on 2nd row, then work dc on opposite side of 58 sts increased at base of bandeau bra, until to beg of tubular border. Fasten off.

Work in this manner on LH (left hand) side, starting at end of tubular lower border and reversing direction of work, ending at beg of tubular upper border. For shoulder strap, using 2.00 mm (no. 14) hook, join yarn with a ss to end of right upper edge of bandeau bra, work a chain 70 cm long (or as long as necessary), 1 ss at left upper edge of bandeau bra, 1 ch, turn and work 1 dc into each of chains just made. Fasten off. Insert elastic thread through tubular lower border and stitch ends securely.

